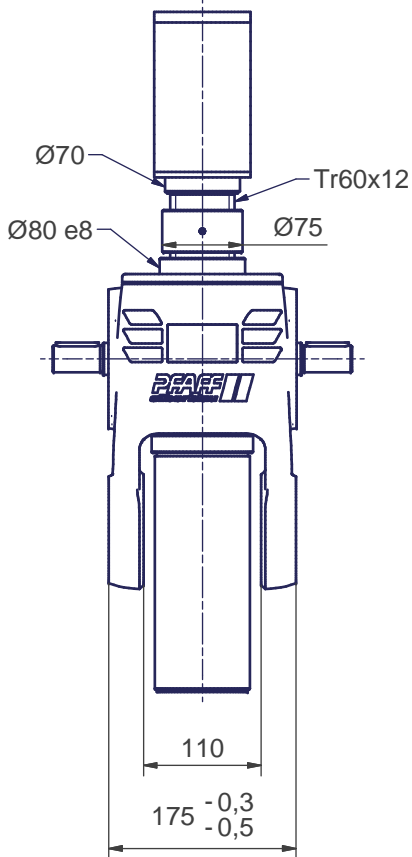
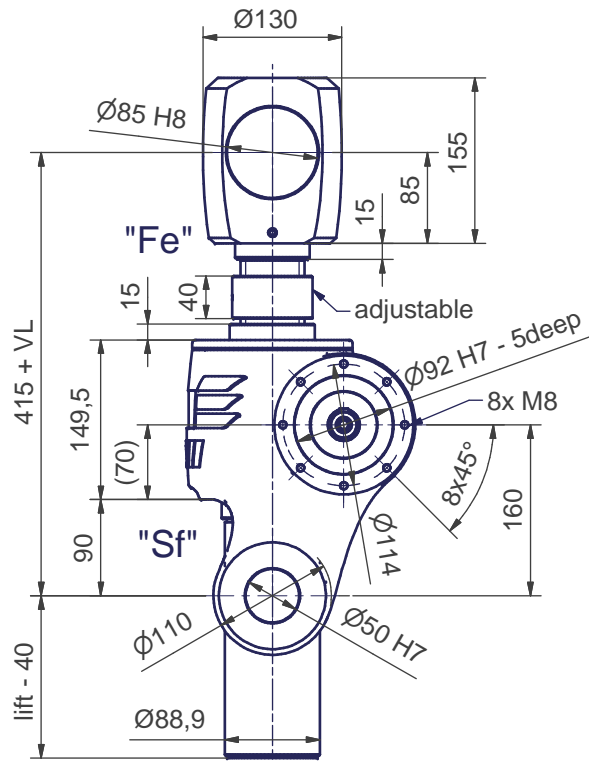
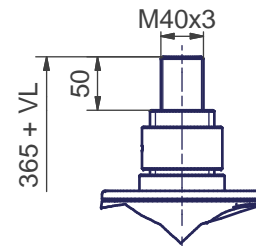


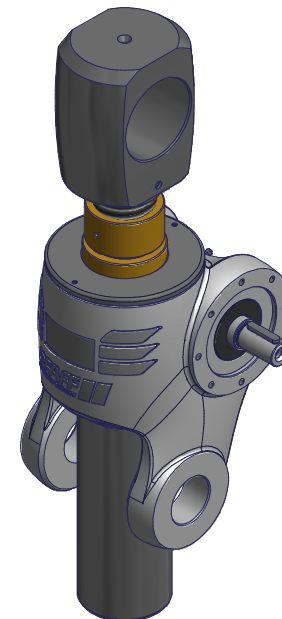
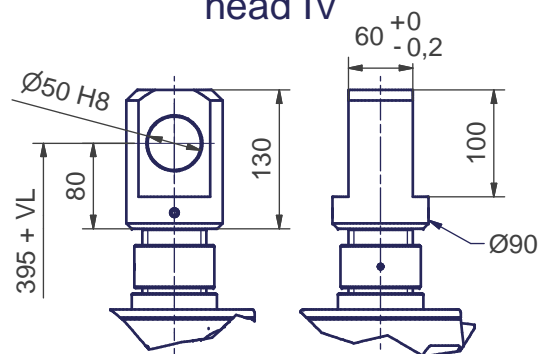
head IV-SSP



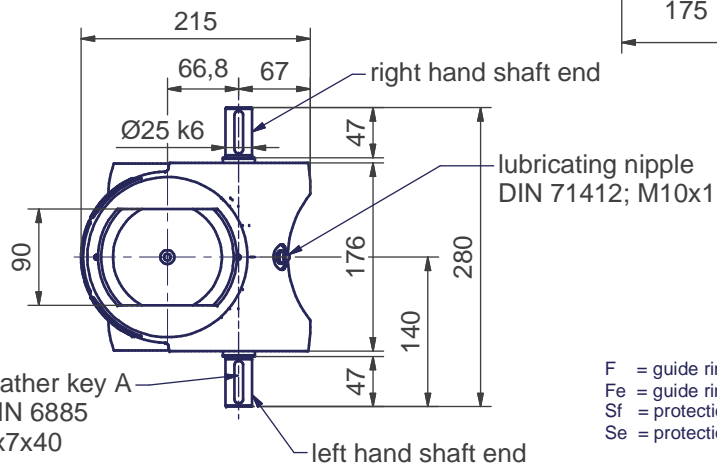
head III



head IV



- materials:
- housing 1.4552
 - worm 1.4057
 - guide rings, limit stop CuZn37Mn3Al2PbSi
 - standard parts A2/A4
 - other parts 1.4571



- F = guide ring
 Fe = guide ring and limit stop
 Sf = protection tube and guide ring
 Se = protection tube and limit stop

VL = screw extension
 screw jacks are supplied with two shaft ends as standard

for detailed technical information and accessories please refer to our catalogue "Screw Jack Compendium" or visit our homepage www.pfaff-silberblau.com

Alle bestehenden oder zu erwerbenden Rechte am Inhalt dieses Dokuments, einschließlich Patent-, Urheber-, Gebrauchsmuster-, Geschmacksmuster- und Markenrechte sowie vertrauliche Informationen und Know-How, bleiben ausdrücklich dem ausschließlichen Inhaber Columbus McKinnon Engineered Products GmbH vorbehalten. Jeder Akt der unbefugten Vervielfältigung, Verbreitung oder sonstigen Nutzung ist untersagt und wird gerichtlich verfolgt.

All rights to the content of this document, including patents, copyrights, utility models, designs, trademarks as well as confidential information and know how, existing or to obtain, are explicitly reserved to the exclusive owner Columbus McKinnon Engineered Products GmbH. All unauthorized acts of copying, distribution or any other kind of use is prohibited and will result in legal prosecution.

General DIN tolerances:			Scale: 1:5	Weight kg: 47.980
			Material - Treatment:	
		COLUMBUS MCKINNON Engineered Products GmbH Am Silberpark 2-8, 86438 Kissing/Germany	Dimension: DIN	
		Date	Name	Art. Nr.-pref.:
		created 21.09.12	schmidth	Art. Nr.-blank.:
		checked 21.09.12	wassermi	
		last chck		
		SSP 15.1 type1 A - Fe/Sf head III, IV, IV-SSP		
		DNr. A13.16.109/000-3400BL02		
Change No.	Index	Date	Name	Replaced by: