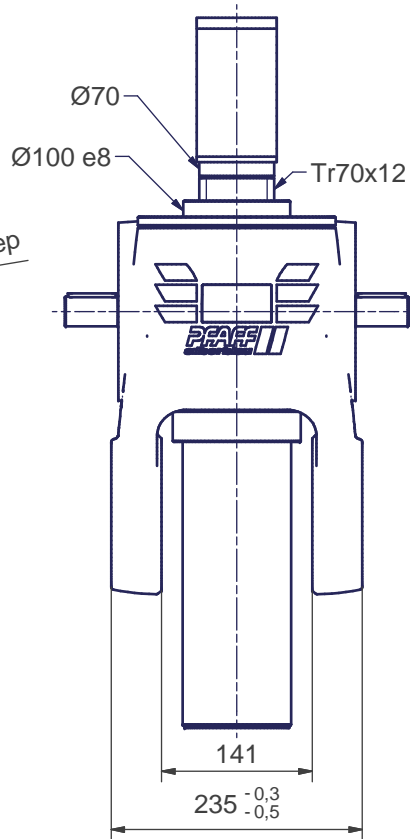
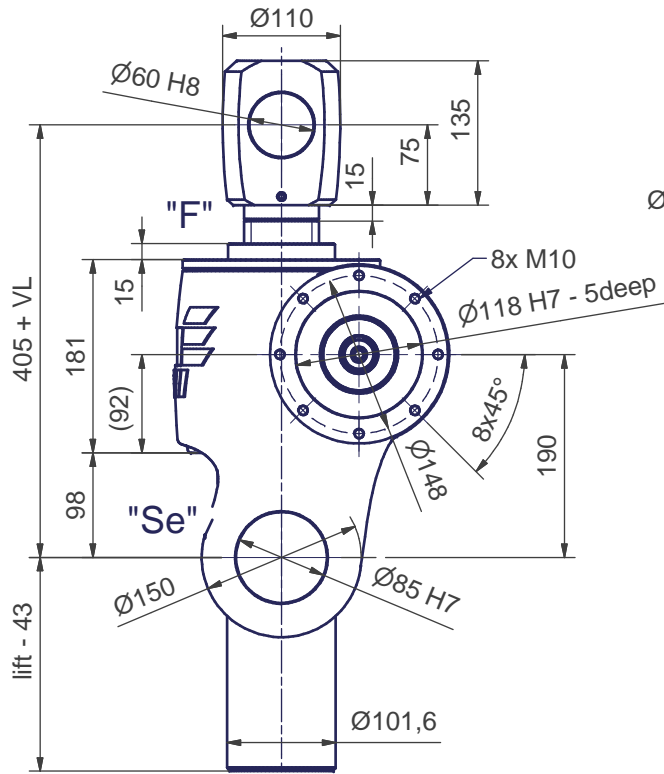
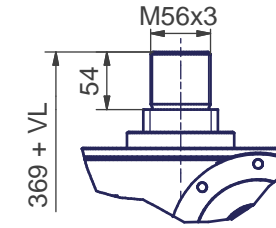


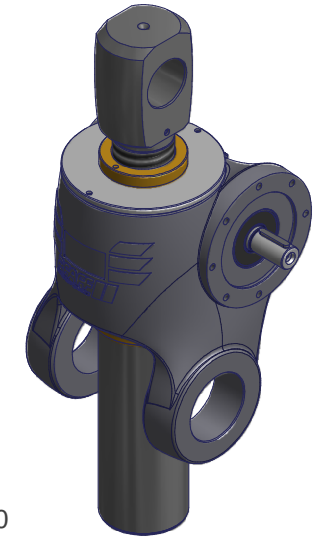
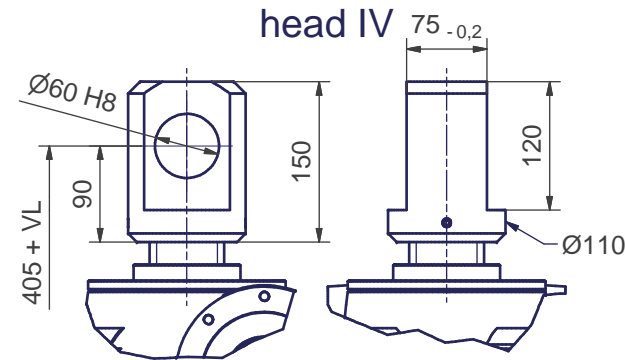
### head IV-SSP



### head III

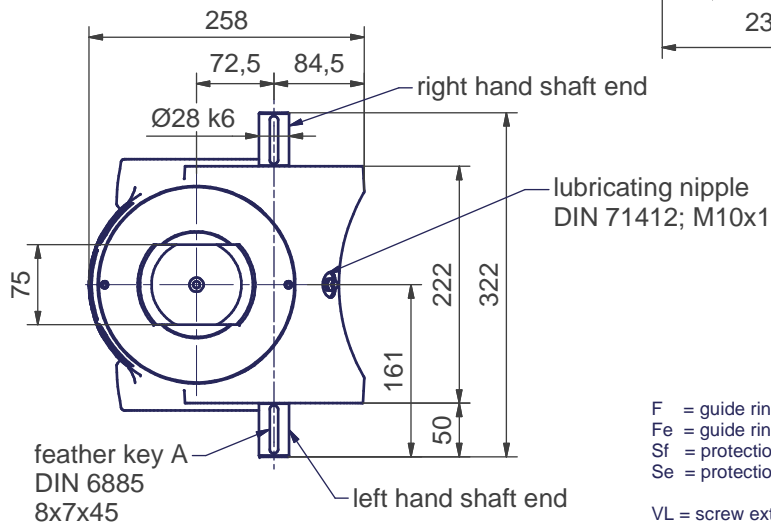


### head IV



#### materials:

- housing 1.4552
- worm 1.4057
- guide rings CuZn37Mn3Al2PbSi
- standard parts A2/A4
- other parts 1.4571






- F = guide ring
- Fe = guide ring and limit stop
- Sf = protection tube and guide ring
- Se = protection tube and limit stop

VL = screw extension  
screw jacks are supplied with two  
shaft ends as standard

for detailed technical information and accessories please refer to our catalogue "Screw Jack Compendium" or visit our homepage [www.pfaff-silberblau.com](http://www.pfaff-silberblau.com)

Alle bestehenden oder zu erwerbenden Rechte am Inhalt dieses Dokuments, einschließlich Patent-, Urheber-, Gebrauchsmuster-, Geschmacksmuster- und Markenrechte sowie vertrauliche Informationen und Know-How, bleiben ausdrücklich dem ausschließlichen Inhaber Columbus McKinnon Engineered Products GmbH vorbehalten. Jeder Akt der unbefugten Vervielfältigung, Verbreitung oder sonstigen Nutzung ist untersagt und wird gerichtlich verfolgt.

All rights to the content of this document, including patents, copyrights, utility models, designs, trademarks as well as confidential information and know-how, existing or to obtain, are explicitly reserved to the exclusive owner Columbus McKinnon Engineered Products GmbH. All unauthorized acts of copying, distribution or any other kind of use is prohibited and will result in legal prosecution.

General DIN tolerances:		 COLUMBUS MCKINNON Engineered Products GmbH Am Silberpark 2-8, 86438 Kissing/Germany	Scale: 1:2 (1:5)	Weight kg: 77.301	
			Material - Treatment:		
			Dimension: DIN		
			Art. Nr.-pref.:	Art. Nr.-blank.:	
			SSP 20.1 type1 A - F/Se head III, IV, IV-SSP		
		 silberblau	DNr. A13.16.115/000-2800BL02		
Change No.	Index	Date	Name	Replacing:	Replaced by: