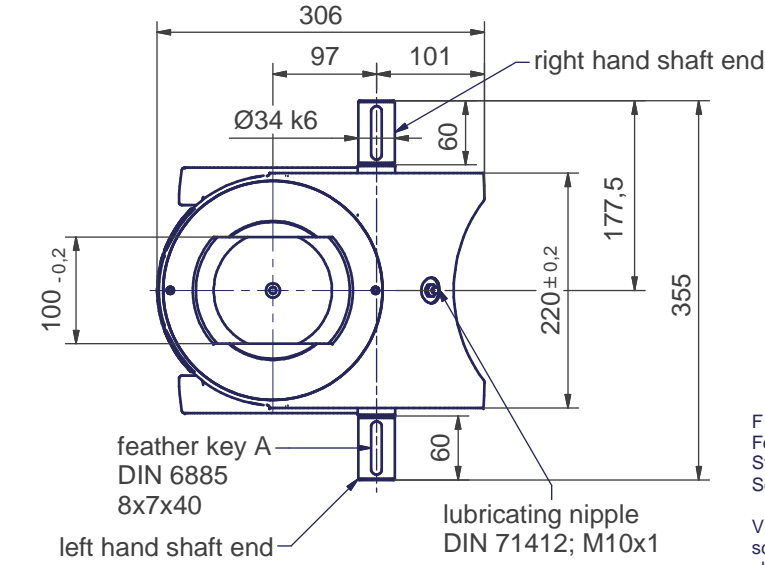


- materials:
- housing 1.4552
  - worm 1.4057
  - guide rings CuZn37Mn3Al2PbSi
  - standard parts A2/A4
  - other parts 1.4571



F = guide ring  
 Fe = guide ring and limit stop  
 Sf = protection tube and guide ring  
 Se = protection tube and limit stop

VL = screw extension  
 screw jacks are supplied with two shaft ends as standard

for detailed technical information and accessories please refer to our catalogue "Screw Jack Compendium" or visit our homepage [www.pfaff-silberblau.com](http://www.pfaff-silberblau.com)

Alle bestehenden oder zu erwerbenden Rechte am Inhalt dieses Dokuments, einschließlich Patent-, Urheber-, Gebrauchsmuster-, Geschmacksmuster- und Markenrechte sowie vertrauliche Informationen und Know-How, bleiben ausdrücklich dem ausschließlichen Inhaber Columbus McKinnon Engineered Products GmbH vorbehalten. Jeder Akt der unbefugten Vervielfältigung, Verbreitung oder sonstigen Nutzung ist untersagt und wird gerichtlich verfolgt.

All rights to the content of this document, including patents, copyrights, utility models, designs, trademarks as well as confidential information and know how, existing or to obtain, are explicitly reserved to the exclusive owner Columbus McKinnon Engineered Products GmbH. All unauthorized acts of copying, distribution or any other kind of use is prohibited and will result in legal prosecution.

General DIN tolerances:			Scale: 1:5	Weight kg: 119,154
			Material - Treatment:	
		COLUMBUS MCKINNON Engineered Products GmbH Am Silberpark 2-8, 86438 Kissing/Germany	Dimension: DIN	
			Art. Nr.-pref.:	Art. Nr.-blank.:
		Date	Name	
		created 28.09.12	schmidth	
		checked 28.09.12	wassermi	
		last chck		
		<b>SSP 25 type1 A - F/Se</b>		
		head III, IV, IV-SSP		
		<b>DNr. A13.16.012/000-2800BL02</b>		
Change No.	Index	Date	Name	Replaced by: