

# Handling lifting table

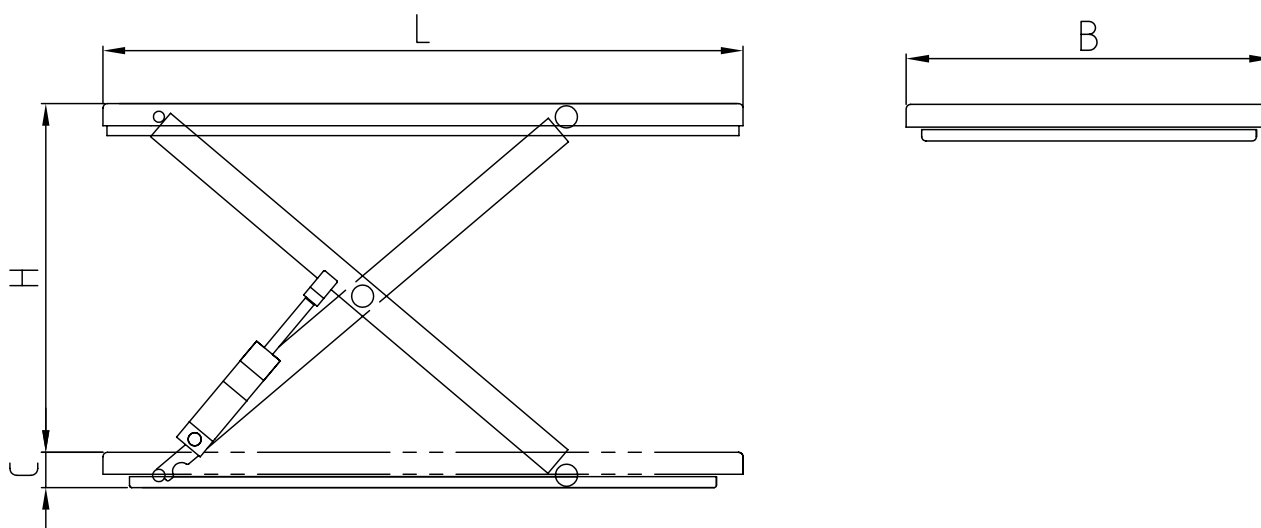
## HTP

### Special features

- Carrying loads 500 – 2000 kg
- Lifting heights 800 – 1250 mm
- Shearing in construction for evenly distributed loads
- Smooth steel sheet platform
- Platform change possible
- Control between the shears – operation by suspended button
- Comprehensive accessories range

### Technical Data (Part 1)

Model	Carrying load [kg]	Lifting height (H) [mm]	Platform (L x B) [mm]	Height (C) [mm]	Lifting time [sec.]	Motor output [kW]	Weight approx. [kg]
HTP 5 - 800-X13	500	800	1250 x 800	210	26	0.75	205
HTP 5 - 800-X15	500	800	1450 x 800	210	26	0.75	214
HTP 5 - 800-021	500	800	1250 x 1000	200	16	0.75	210
HTP 5 - 800-023	500	800	1450 x 1000	200	16	0.75	219
HTP 5 - 1000-X13	500	1000	1500 x 800	220	16	0.75	230
HTP 10 - 800-009	1000	800	1250 x 800	210	26	0.75	205
HTP 10 - 800-011	1000	800	1450 x 800	210	26	0.75	214
HTP 10 - 800-017	1000	800	1250 x 1000	210	26	0.75	240
HTP 10 - 800-019	1000	800	1450 x 1000	210	26	0.75	250
HTP 10 - 1000-015	1000	1000	1700 x 800	220	30	0.75	235
HTP 10 - 1000-021	1000	1000	1500 x 1000	220	30	0.75	257
HTP 10 - 1000-023	1000	1000	1700 x 1000	220	30	0.75	265
HTP 10 - 1000-029	1000	1000	1500 x 1200	220	30	0.75	275
HTP 10 - 1000-031	1000	1000	1700 x 1200	220	30	0.75	285



# Handling lifting table HTP

## Technical Data (Part 2)

Model	Carrying load [kg]	Lifting height (H) [mm]	Platform (L x B) [mm]	Height (C) [mm]	Lifting time [sec.]	Motor output [kW]	Weight approx. [kg]
HTP 20 - 800-017	2000	800	1350 x 1000	250	25	1.5	325
HTP 20 - 800-019	2000	800	1500 x 1000	250	25	1.5	335
HTP 20 - 800-025	2000	800	1350 x 1200	250	25	1.5	340
HTP 20 - 800-027	2000	800	1500 x 1200	250	25	1.5	350
HTP 20 - 1250-017	2000	1250	1800 x 1000	270	30	1.5	390
HTP 20 - 1250-019	2000	1250	2000 x 1000	270	30	1.5	395
HTP 20 - 1250-025	2000	1250	1800 x 1200	270	30	1.5	410
HTP 20 - 1250-027	2000	1250	2000 x 1200	270	30	1.5	420

